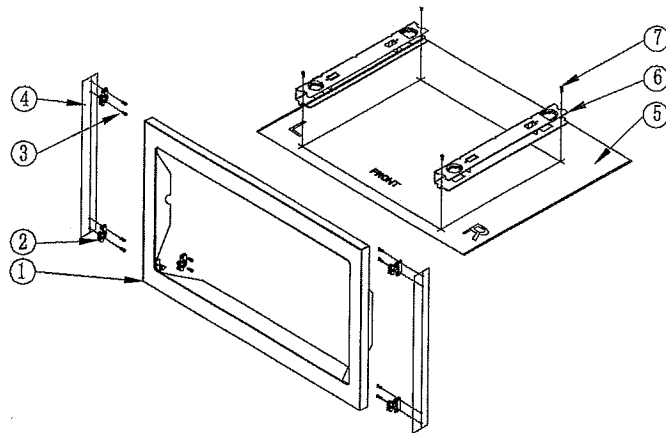


Suits 20 Litre or 23 Litre or 25 Litre or 30 Litre ovens MICROWAVE INSTALLATION KIT



- | | | | | | |
|---------------------|-------|-----------------------|-------|---------------------|-------|
| 1. Frame | 4 PCS | 2. Fixing Bolt | 4 PCS | 3. Bolts 3 mmX12 mm | 8 PCS |
| 4. Metal Piece | 1 PCS | 5. Base setting paper | 1 PCS | 6. feetmat | 2 PCS |
| 7. Bolts 4 mmX10 mm | 4 PCS | | | | |

Technical Specifications of the Installation Kit

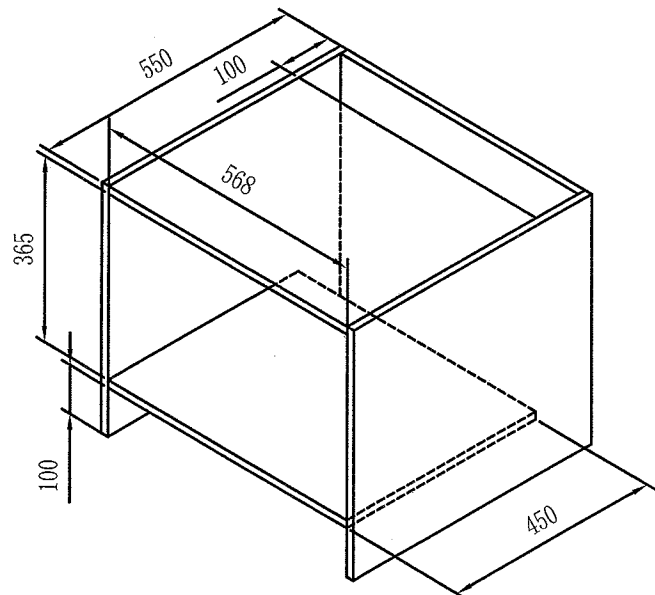
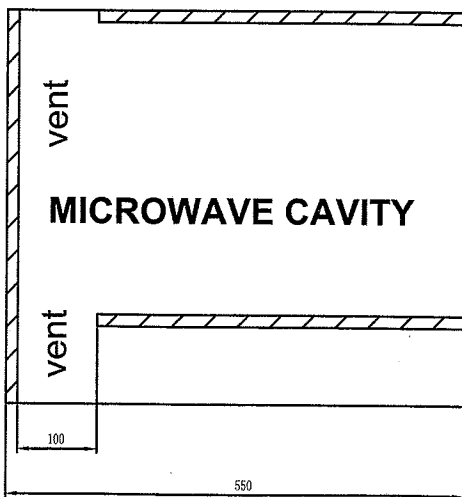
Cavity dimensions

Internal Width	568 mm
External FRONT HEIGHT	365 mm
Depth	550 mm

Overall Kit Dimensions

Width	592 mm
Height	376 mm
Depth	20 mm

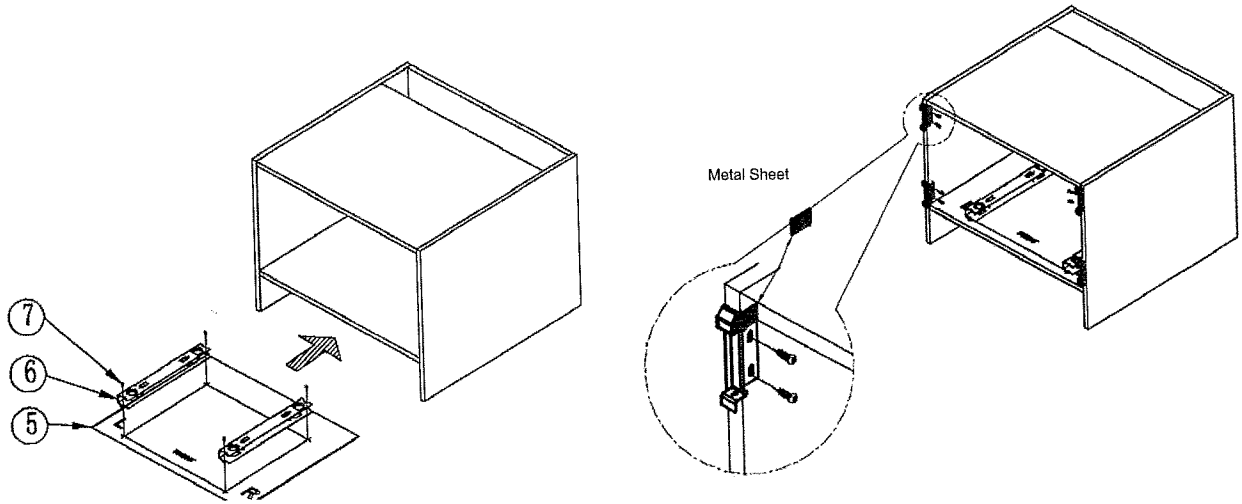
Microwave Oven Cabinet



Cabinet Measurement Requirements (illustrated above):

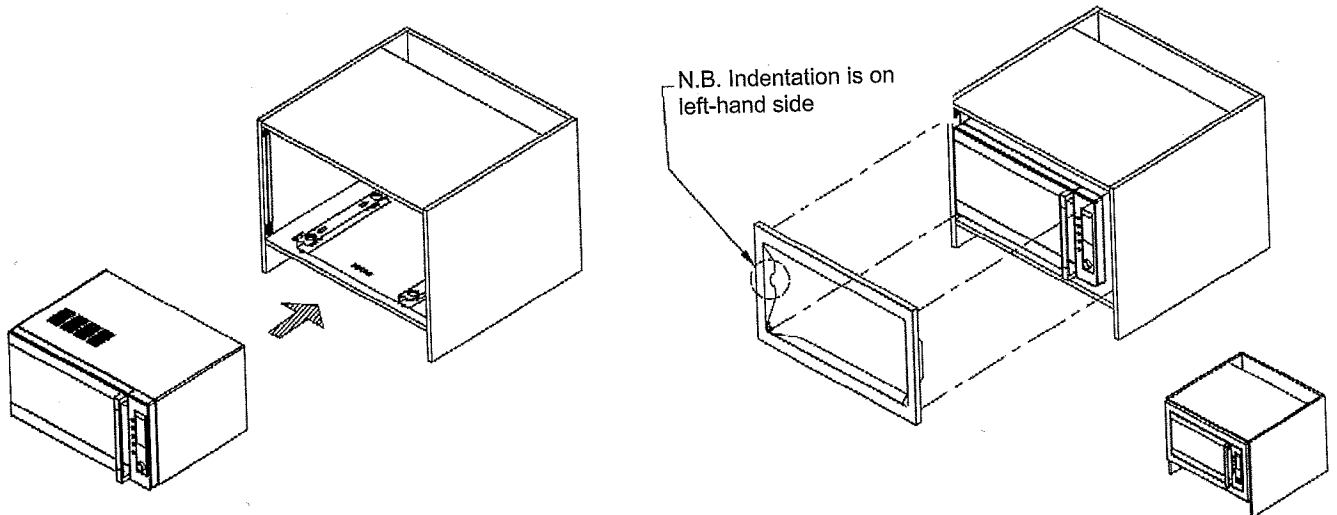
1. Cabinet's inner dimension in transverse direction is 568 mm. This is the minimum distance from the left batten to right batten. Do not alter.
2. Cabinet's inner dimension in lengthways direction is 365 mm. This is the minimum distance from the left batten to right batten. Do not alter.
3. Cabinet's depth should be no less than 550 mm.
4. Outside dimension of cabinet should be no less than 596 mm as the frame length is 592mm.
5. Cabinet's board less than 15 mm or 20 mm thick.

INSTALLATION STEPS



1. Fix the cabinet as per diagram above. Put the base setting paper (Component 5) on the bottom board of the cabinet cavity. Keep the paper's front edge and cabinet outside edge in one line. Then put the base (Component 6) on the paper and adjust their holes as per the hole position in the drawing. Then, fix the required bolts.

2. Fix Metal sheet end on the left and right of Cabinet, another end on the upper and lower of cabinet. After fixing the metal sheet, then fix the buckle and let it touch another end of metal sheet tightly. Please pay attention that buckle's bent side shall be installed as to the drawing while fixing the buckle. Then press the buckle and take away metal sheet, tighten screws.



3. Put the Microwave Oven carefully into the cabinet, placing the underside of the Microwave Oven into the base plate now created.

4. Keep the Microwave Oven in a horizontal direction. Push the metal piece of the frame into the metal buckle. The frame should now be installed.